



**ALLAN
BLOCK**

allanblock.com

AB Jumbo Jr. Do-It-Yourself Kidney Planter

TECH SHEET #198
PAGE 1

STEP 1

Determine location of the retaining wall planter and stake out a 6 ft 4 in. x 10 ft 6 in. (2 m x 3.2 m) rectangle in a flat area. Remove and dispose of all surface vegetation in the area. Place a thin layer of sand and level entire area.

STEP 2

Find the center of the rectangle. Measure over from this point 2ft 1.5 in. (65 cm) in two directions. Place a stake at both locations. See drawing at right.

STEP 3

Remove the wings on the back of the blocks if they interfere with placement. Use a string line tied to the stake to strike an arch in the soil at a 3ft (0.9 m) radius. Begin positioning the block as shown in the drawing. Finish by placing blocks to form the kidney shape.

STEP 4

Using a small torpedo level, check each block for level from side to side and front to back. You may need to tap the block down with a rubber mallet or add a little sand under the block. Maintain the same level around the entire planter in ensure the last block matches the first block.

STEP 5

Place 1 inch (2.5 cm) of soil along the outside of the planter to hold the blocks in place. Fill the block cores and the area inside the planter with dirt or planting soil and compact well. Sweep the top of the blocks for installation of the second course of blocks.

STEP 6

Begin placing the 2nd row of AB Jr. blocks on the 1st course on the outside edge of the planter, taking care to stagger the seams between the blocks. Complete 2/3 of the 2nd course to the point where blocks will be placed on the compacted soil within the planter. Place the remaining blocks on the compacted soil, completing the oval shape. Level the blocks.

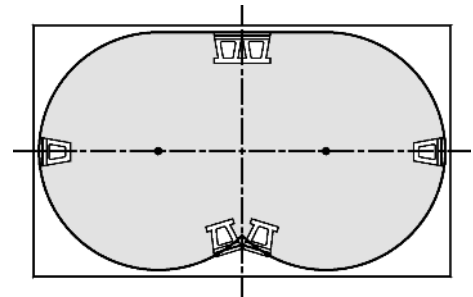
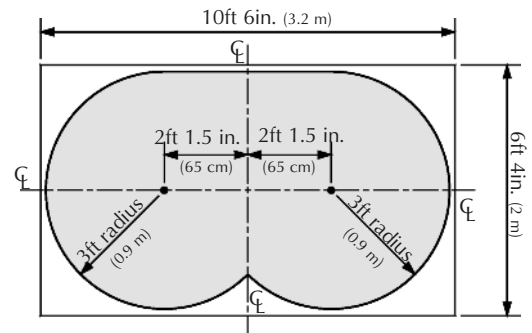
STEP 7

Place 1 inch (2.5 cm) of soil along the outside of the 2nd course to hold the blocks in place. Fill the 2nd course block cores and the area inside the planter with dirt or planting soil. Compact and level to the top of the 2nd course of blocks. Sweep the top of the blocks for installation of the third course of blocks.

STEP 8

Complete the 3rd course in the same manner. Begin on top of the 2nd course of blocks and work around to the compacted soil area. Form a tight circle on top of the compacted soil and level. Fill the block cores and inside the planter with dirt or planting soil and compact.

You're ready to plant!



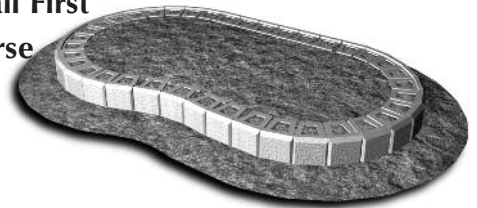
**Remove Wings
From Blocks**



Level Blocks



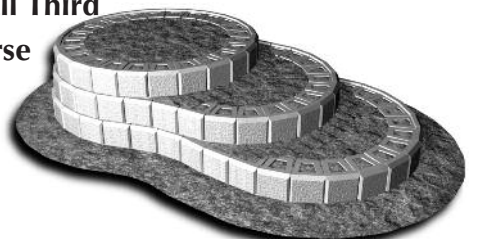
**Install First
Course**



**Install Second
Course**



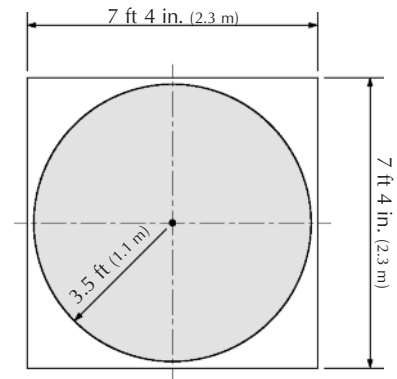
**Install Third
Course**



AB Jumbo Jr. Do-It-Yourself Round Planter

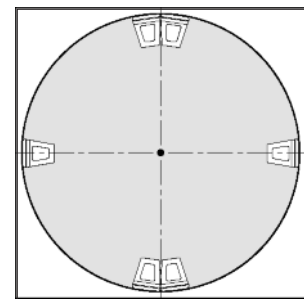
STEP 1

Determine location of planter and stake out a 7 ft 4 in. (2.3 m) square, then remove and dispose of all surface vegetation in the area. Place a thin layer of sand. Using a hand compactor, compact and level the soil along the outside of the circle where the block will be laid. Determine the center of the planter and place a stake. Measure out 3.5 ft. (1.1 m) and draw a line around the stake to make a guide for laying the blocks.



STEP 2

Before placing any blocks, **remove all of the wings on the back of the all the blocks.** Place the blocks along the guide that was drawn to form a circle.



STEP 3

Using a small torpedo level, check each block for level from side to side and front to back. You may need to tap the block down with a rubber mallet or add a little sand under the block. Maintain the same level around the entire planter in ensure the last block matches the first block.

STEP 4

Place 1 inch (2.5 cm) of soil along the outside of the planter to hold the blocks in place. Fill the block cores and the area inside the planter with dirt or planting soil and compact well. Sweep the top of the blocks for installation of the second course of blocks.

Remove Wings
From Blocks



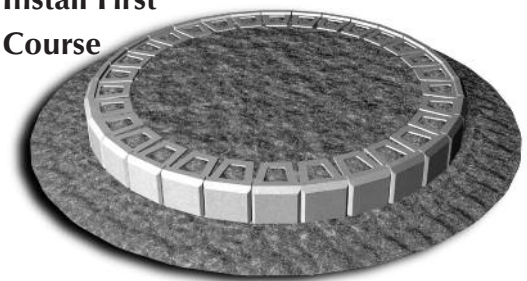
Level Blocks



STEP 5

Place 2nd row of AB Jumbo Junior blocks on the 1st course with a stagger from the blocks below. Level and adjust the blocks as necessary, pulling them tight together and tight to the front lip.

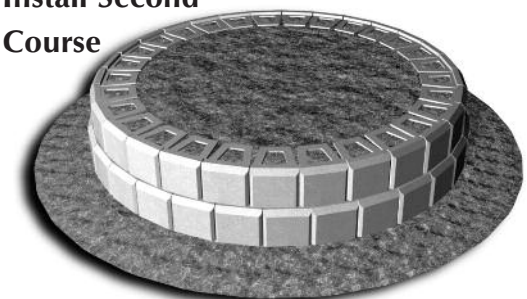
Install First
Course



STEP 6

Place 1 inch (2.5 cm) of soil along the outside of the 2nd course to hold the blocks in place. Fill the 2nd course block cores and the area inside the planter with dirt or planting soil. Compact and level to the top of the 2nd course of blocks.

Install Second
Course



You're ready to plant!

allanblock.com

The information shown here is for use with Allan Block products only.

