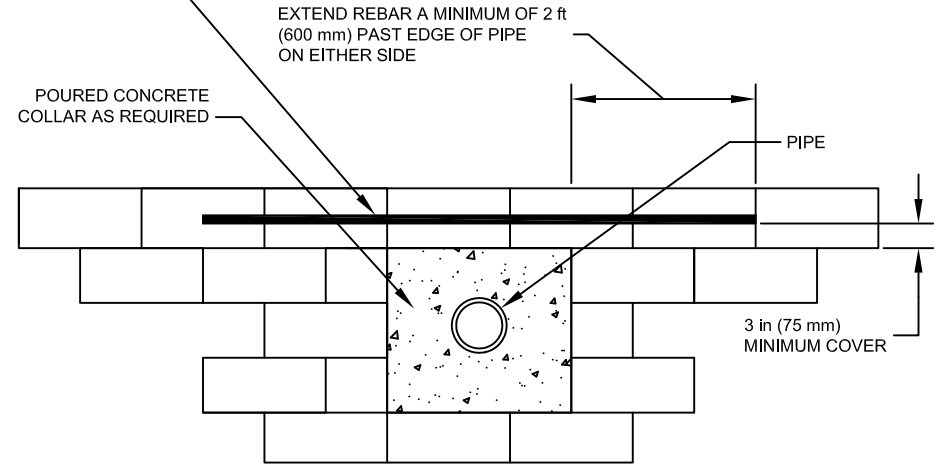
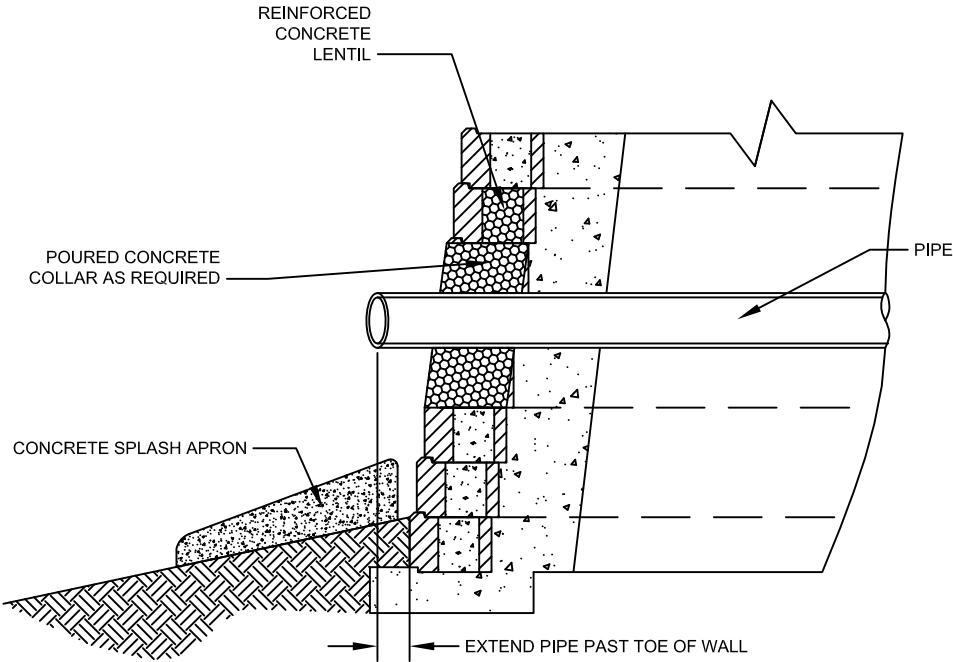



\* REFER TO DESIGN DETAILS: ALLAN BLOCK  
TYPICAL REINFORCED WALL APPLICATION  
FOR ALL OTHER NOTES, DETAILS AND  
SPECIFICATIONS.

STEEL REINFORCEMENT (SAW  
CUT NOTCH IN SIDES OF ALLAN  
BLOCK UNITS TO ALLOW FOR  
REBAR PLACEMENT) DO NOT  
REMOVE BACK OF BLOCK. \*\*



\*\* STEEL REINFORCEMENT IS OPTIONAL  
AND SHOULD BE PLACED PER  
DESIGN OF ENGINEER OF RECORD

Designed By:	Title:	<b>STORM PIPE WALL SECTION</b>		Date:
Checked By:		The purpose of this drawing is for preliminary design only. This drawing should not be used for final design or construction without the certification of a professional engineer registered in the state in which the wall will be built. The accuracy and use of details contained in this document are the sole responsibility of the user. The user must verify each detail for accuracy as they pertain to their particular project. © 2005 Allan Block		Project No:
Scale: NOT TO SCALE				Drawing No: